

---

---

---

**GARDNER DENVER®**

300CMB997 Rev B  
January 2005

## **WELL SERVICING PUMP**

**MODEL**

**C-2250**

**D-2250**

**HD-2250**

**TRIPLEX PUMPS**

## **EWS FLUID END PARTS LIST**

**Gardner**  

---

**Denver**

# C-2250, D-2250, HD-2250 WELL SERVICING PUMPS

## MAINTAIN PUMP RELIABILITY AND PERFORMANCE WITH GENUINE GARDNER DENVER PARTS AND SUPPORT SERVICES

Gardner Denver® genuine pump parts are manufactured to design tolerances and are developed for optimum dependability. Design and material innovations are the result of years of experience with hundreds of different pump applications. Reliability in materials and quality assurance is incorporated in our genuine replacement parts.

**Your authorized Gardner Denver Sales Office offers all the backup you'll need.** The Fort Worth Manufacturing Facility maintains a large inventory of genuine parts.

Gardner Denver supports your needs with these services:

1. Trained parts specialists to assist you in selecting the correct replacement parts.
2. Repair and maintenance kits designed with the necessary parts to simplify servicing your pump.

Authorized service technicians are factory trained and skilled in pump maintenance and repair. They are ready to respond and assist you by providing fast, expert maintenance and repair services.

**For the location of your local authorized Gardner Denver distributor, refer to the yellow pages of your phone directory or contact:**

### **Factory (Tulsa):**

Gardner Denver Well Servicing Pumps  
4747 South 83<sup>rd</sup> East Avenue  
Tulsa, Oklahoma 74145

Phone: (918) 664-1151  
(800) 637-8099

Fax: (918) 664-6225

### **Service Center (Odessa):**

Chaparral  
2121 West 44<sup>th</sup> Street  
Odessa, Tx 79768

Phone: (432) 366-5433  
(800) 368-1134

Fax: (432) 363-9940

### **Service Center (Ft. Worth):**

Geoquip  
7533 Kathy Lane  
Ft. Worth, Texas 76126

Phone: (817) 249-6400  
(800) 824-0271

Fax: (817) 249-6401

## INSTRUCTIONS FOR ORDERING REPAIR PARTS

When ordering parts, specify Pump MODEL and SERIAL NUMBER (see nameplate on unit). The Serial Number is also stamped on top of the cylinder end of the frame (cradle area).

**All orders for Parts should be placed with the Tulsa or Ft. Worth facility.**

Where NOT specified, quantity of parts required per pump or unit is one (1); where more than one is required per unit, quantity is indicated in parenthesis. **SPECIFY EXACTLY THE NUMBER OF PARTS REQUIRED.**

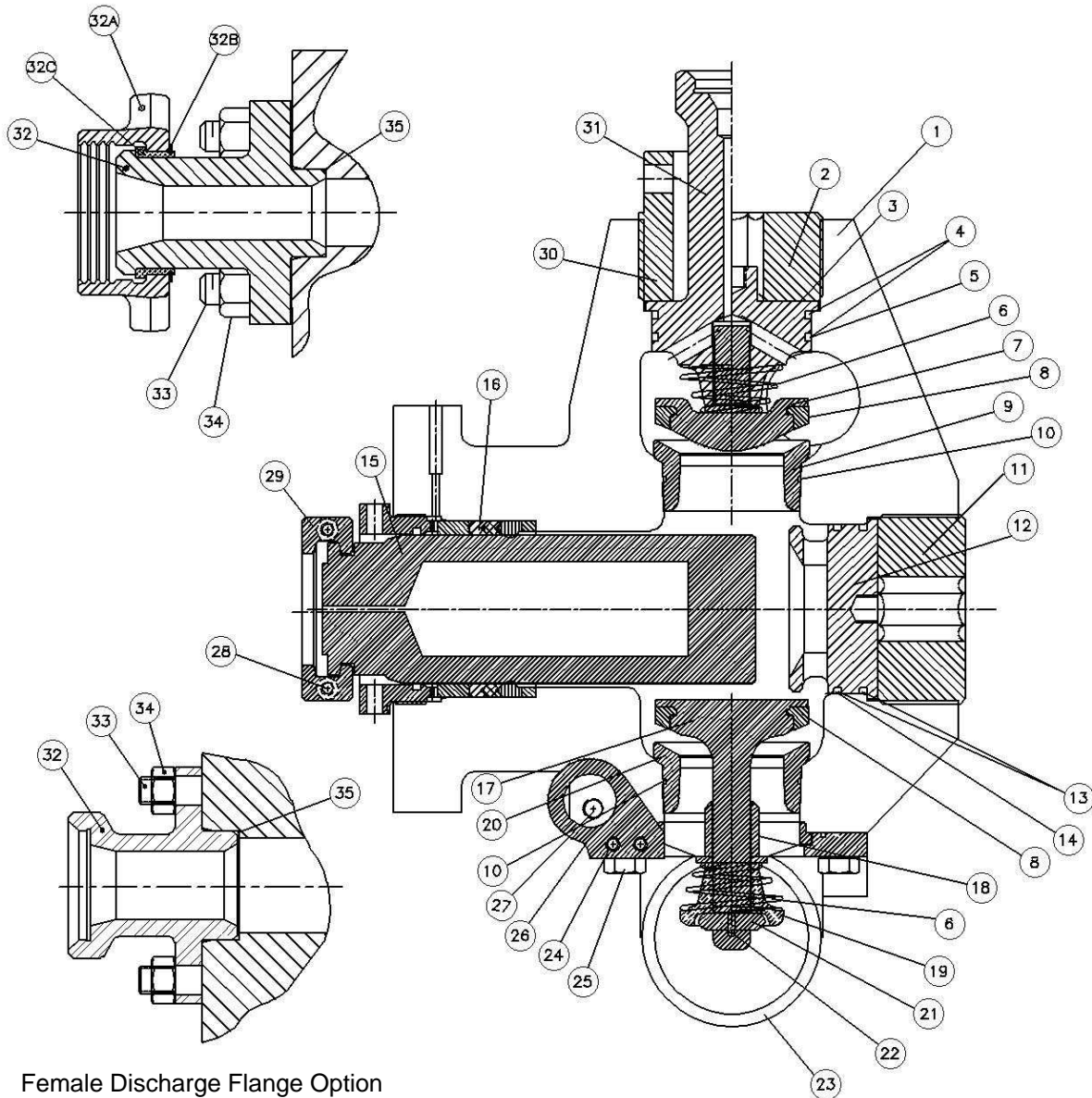
## TABLE OF CONTENTS

TABLE OF CONTENTS.....	1
LIST OF FIGURES .....	1
4.5" EWS FLUID CYLINDER ASSEMBLY.....	3
5" EWS FLUID CYLINDER ASSEMBLY.....	5
5.5" EWS FLUID CYLINDER ASSEMBLY.....	7
5.75" EWS FLUID CYLINDER ASSEMBLY.....	9
6" EWS FLUID CYLINDER ASSEMBLY.....	11
6.5" EWS FLUID CYLINDER ASSEMBLY.....	13
6.75" EWS FLUID CYLINDER ASSEMBLY.....	15
RSL PACKING ASSEMBLY FOR EWS CYLINDER.....	16
4.5" RSL PACKING ASSEMBLY .....	16
5" RSL PACKING ASSEMBLY .....	16
5.5" RSL PACKING ASSEMBLY .....	16
RSL PACKING ASSEMBLY FOR EWS CYLINDER.....	17
5.75" RSL PACKING ASSEMBLY .....	17
6" RSL PACKING ASSEMBLY .....	17
6.5" RSL PACKING ASSEMBLY .....	17
RSL PACKING ASSEMBLY FOR EWS CYLINDER.....	18
6.75" RSL PACKING ASSEMBLY .....	18
EWS FLUID END SERVICE TOOLS.....	19

## LIST OF FIGURES

4.5" EWS FLUID CYLINDER ASSEMBLY.....	2
5.0" EWS FLUID CYLINDER ASSEMBLY.....	4
5.5" EWS FLUID CYLINDER ASSEMBLY.....	6
5.75" EWS FLUID CYLINDER ASSEMBLY.....	8
6.0" EWS FLUID CYLINDER ASSEMBLY.....	10
6.5" EWS FLUID CYLINDER ASSEMBLY.....	12
6.75" EWS FLUID CYLINDER ASSEMBLY.....	14
RSL PACKING ASSEMBLY DETAIL.....	16
RSL PACKING ASSEMBLY DETAIL.....	17
RSL PACKING ASSEMBLY DETAIL.....	18

Male Discharge Flange Option



Female Discharge Flange Option

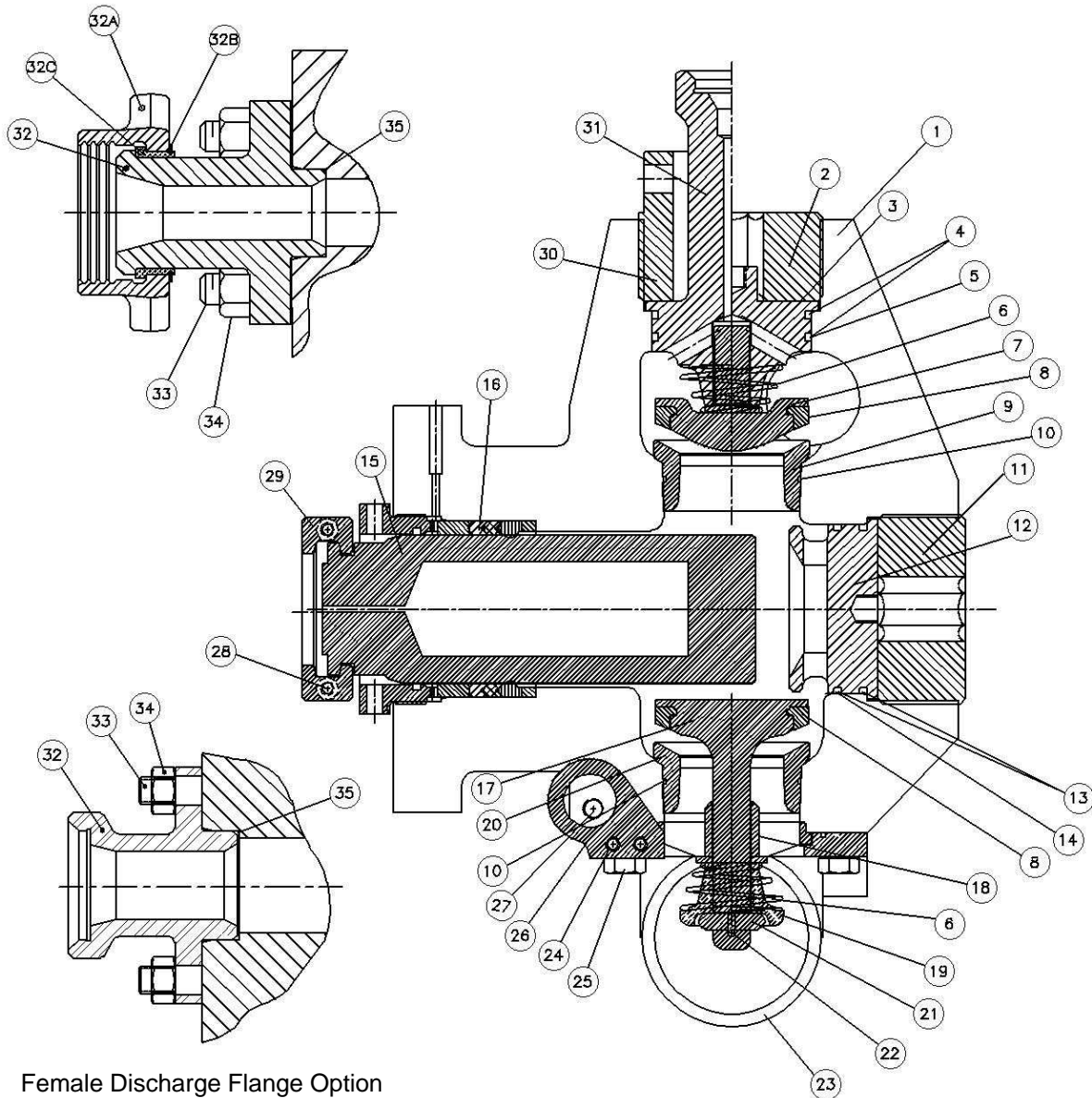
REF DRAWING # 304CMB810

4.5" EWS FLUID CYLINDER ASSEMBLY

## 4.5" EWS FLUID CYLINDER ASSEMBLY

Ref No.	Name of Part	Qty.	Part No.
1	FLUID CYLINDER, 4.5" EWS	1	PP1005289
2	RETAINER NUT, PLAIN DISCHARGE	2	PP1002721
3	DISCHARGE VALVE COVER – PLAIN	2	PP1007452
4	SEAL – DISCHARGE VALVE COVER O-RING	3	107985
5	SEAL – DISCHARGE VALVE COVER O-RING BACK-UP	6	25BC658
6	VALVE SPRING	6	918PN05
7	DISCHARGE VALVE	3	PP1002761
8	VALVE INSERT (SUCTION & DISCHARGE)	6	PP1002901
9	VALVE SEAT – DISCHARGE	3	PP1002621
10	O-RING – VALVE SEAT	6	161125
11	RETAINER NUT, SUCTION VALVE COVER	3	PP1002721
12	SUCTION VALVE COVER	3	PP1002944
13	SEAL – SUCTION VALVE COVER O-RING	6	171644
14	SEAL – SUCTION VALVE COVER O-RING BACK-UP	6	VP1002543
15	PLUNGER, 4.5"	3	PP1002893
16	PACKING ASSEMBLY (See Page 16 )	3	
17	SUCTION VALVE	3	PP1002757
18	VALVE GUIDE – SUCTION	3	PP1002774
19	KEEPER, SUCTION VALVE	3	PP1002709
20	VALVE SEAT – SUCTION	3	PP1002621
21	PIN, SUCTION VALVE KEEPER	3	PP1002706
22	ROLL PIN, SUCTION VALVE KEEPER	3	62R96
23	SUCTION MANIFOLD OPTIONS:		
	6" VICTAULIC CONNECTIONS*	1	PP1002635
	6" Fig. 207 CONNECTIONS*	1	PP1002638
	*O-RING – SUCTION MANIFOLD, SMALL (Not Shown)	3	901SH05-363
	*O-RING – SUCTION MANIFOLD, LARGE (Not Shown)	3	VP1002537
24	CAP SCREW	4	75P76
25	CAP SCREW	12	PP1005105
26	HINGE, SUCTION MANIFOLD	2	PP1002805
	*SPACER, HINGE (Not Shown)	4	168195
27	CAP SCREW	2	75P117
28	CAP SCREW	6	75P78
29	PLUNGER CLAMP	3	342-C-77
30	RETAINER NUT, DISCHARGE GAUGE CONNECTION	1	PP1002950
31	DISCHARGE COVER WITH 2" 1502 GAUGE CONNECTION*	1	PP1007781
	*WECO SEAL FOR ABOVE (Not Shown)	1	901SH06-1
32	DISCHARGE FLANGE OPTIONS:		
	BLIND FLANGE	1	265PN03
	BLIND FLANGE WITH BLEED OFF	1	268PN02
	3" 1502 FEMALE*	1	PP1002959
	*WECO SEAL FOR ABOVE (Not Shown)	1	901SH06-2
	3" 1502 MALE (Require 32A, 32B, and 32C)	1	PP1002960
32A	UNION NUT	1	431200090
32B	RETAINING RING	1	421067000
32C	RETAINING SEGMENTS	3	431042090
33	STUD	12	450VP005-034
34	HEX NUT	12	50B10
35	SEAL – DISCHARGE FLANGE, O-RING SHOULDER	2	107981
36	SEAL – DISCHARGE FLANGE, O-RING GROOVE (Not Shown)	2	107976

Male Discharge Flange Option



Female Discharge Flange Option

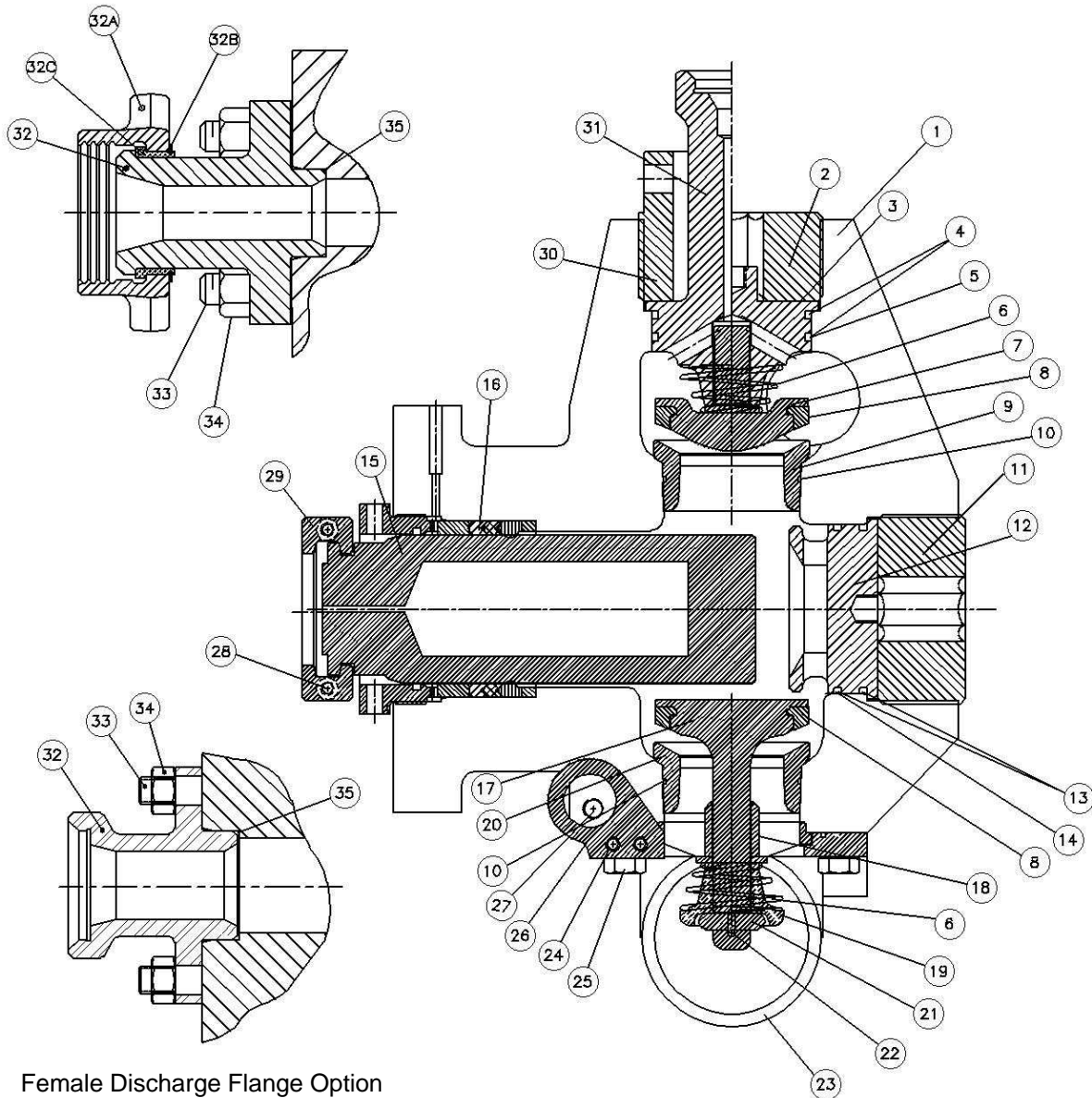
REF DRAWING # 304CMB810

5.0" EWS FLUID CYLINDER ASSEMBLY

## 5" EWS FLUID CYLINDER ASSEMBLY

Ref No.	Name of Part	Qty.	Part No.
1	FLUID CYLINDER, 5" EWS	1	PP1002613
2	RETAINER NUT, PLAIN DISCHARGE	2	PP1002721
3	DISCHARGE VALVE COVER – PLAIN	2	PP1007452
4	SEAL – DISCHARGE VALVE COVER O-RING	3	107985
5	SEAL – DISCHARGE VALVE COVER O-RING BACK-UP	6	25BC658
6	VALVE SPRING	6	918PN05
7	DISCHARGE VALVE	3	PP1002761
8	VALVE INSERT (SUCTION & DISCHARGE)	6	PP1002901
9	VALVE SEAT – DISCHARGE	3	PP1002621
10	O-RING – VALVE SEAT	6	161125
11	RETAINER NUT, SUCTION VALVE COVER	3	PP1002721
12	SUCTION VALVE COVER	3	PP1002944
13	SEAL – SUCTION VALVE COVER O-RING	6	171644
14	SEAL – SUCTION VALVE COVER O-RING BACK-UP	6	VP1002543
15	PLUNGER, 5"	3	PP1005291
16	PACKING ASSEMBLY (See Page 16)	3	
17	SUCTION VALVE	3	PP1002757
18	VALVE GUIDE – SUCTION	3	PP1002774
19	KEEPER, SUCTION VALVE	3	PP1002709
20	VALVE SEAT – SUCTION	3	PP1002621
21	PIN, SUCTION VALVE KEEPER	3	PP1002706
22	ROLL PIN, SUCTION VALVE KEEPER	3	62R96
23	SUCTION MANIFOLD OPTIONS:		
	6" VICTAULIC CONNECTIONS*	1	PP1002635
	6" Fig. 207 CONNECTIONS*	1	PP1002638
	*O-RING – SUCTION MANIFOLD, SMALL (Not Shown)	3	901SH05-363
	*O-RING – SUCTION MANIFOLD, LARGE (Not Shown)	3	VP1002537
24	CAP SCREW	4	75P76
25	CAP SCREW	12	PP1005105
26	HINGE, SUCTION MANIFOLD	2	PP1002805
	*SPACER, HINGE (Not Shown)	4	168195
27	CAP SCREW	2	75P117
28	CAP SCREW	6	75P78
29	PLUNGER CLAMP	3	342-C-77
30	RETAINER NUT, DISCHARGE GAUGE CONNECTION	1	PP1002950
31	DISCHARGE COVER WITH 2" 1502 GAUGE CONNECTION*	1	PP1007781
	*WECO SEAL FOR ABOVE (Not Shown)	1	901SH06-1
32	DISCHARGE FLANGE OPTIONS:		
	BLIND FLANGE	1	265PN03
	BLIND FLANGE WITH BLEED OFF	1	268PN02
	3" 1502 FEMALE*	1	PP1002959
	*WECO SEAL FOR ABOVE (Not Shown)	1	901SH06-2
	3" 1502 MALE (Require 32A, 32B, and 32C)	1	PP1002960
32A	UNION NUT	1	431200090
32B	RETAINING RING	1	421067000
32C	RETAINING SEGMENTS	3	431042090
33	STUD	12	450VP005-034
34	HEX NUT	12	50B10
35	SEAL – DISCHARGE FLANGE, O-RING SHOULDER	2	107981
36	SEAL – DISCHARGE FLANGE, O-RING GROOVE (Not Shown)	2	107976

Male Discharge Flange Option



Female Discharge Flange Option

REF DRAWING # 304CMB810

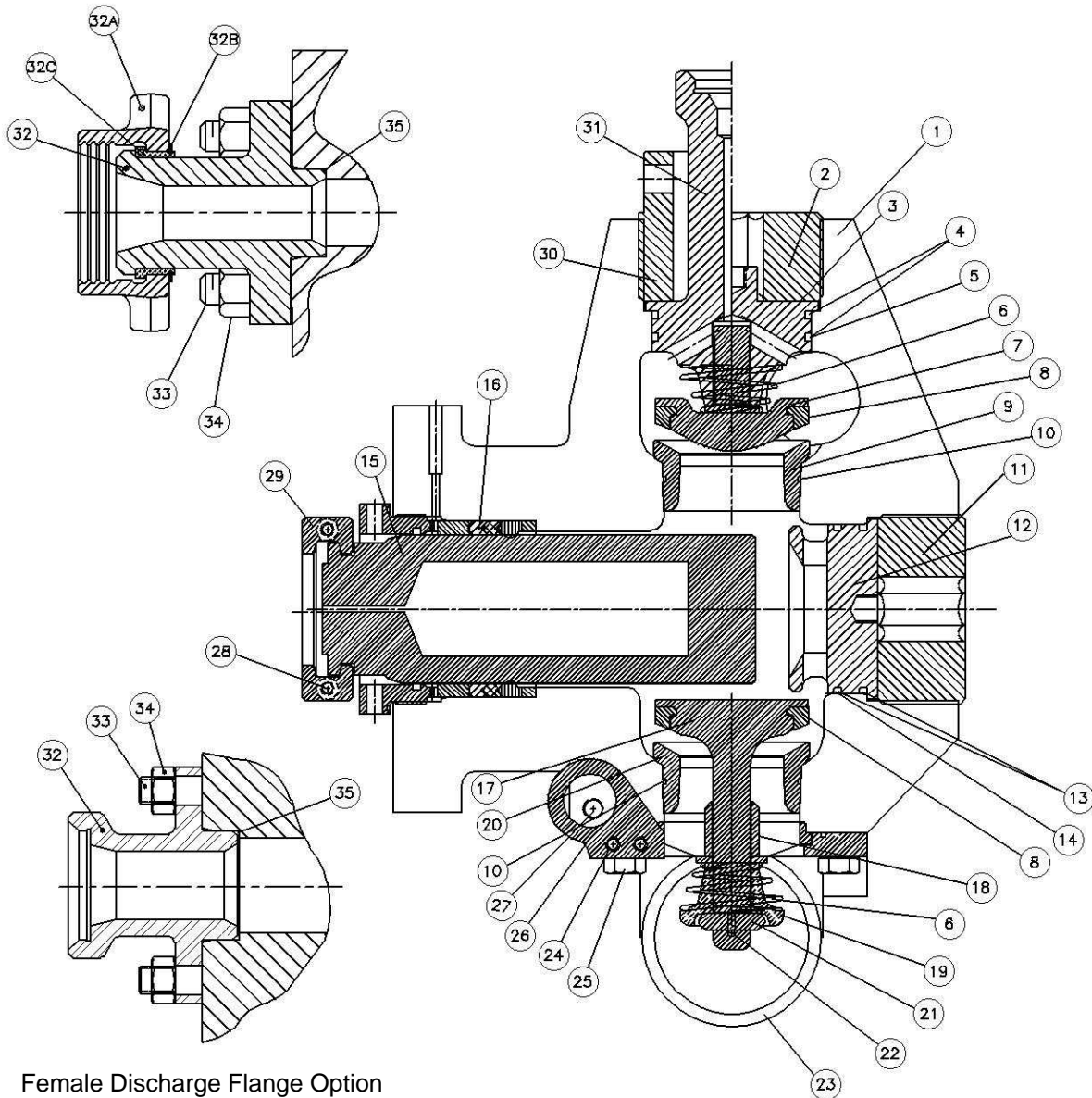
**5.5" EWS FLUID CYLINDER ASSEMBLY**



## 5.5" EWS FLUID CYLINDER ASSEMBLY

Ref No.	Name of Part	Qty.	Part No.
1	FLUID CYLINDER, 5.5" EWS	1	PP1003396
2	RETAINER NUT, PLAIN DISCHARGE	2	PP1002720
3	DISCHARGE VALVE COVER – PLAIN	2	PP1007453
4	SEAL – DISCHARGE VALVE COVER O-RING	3	901SH05-432
5	SEAL – DISCHARGE VALVE COVER O-RING BACK-UP	6	25BC660
6	VALVE SPRING	6	918VP030
7	DISCHARGE VALVE	3	PP1002762
8	VALVE INSERT (SUCTION & DISCHARGE)	6	PP1002903
9	VALVE SEAT – DISCHARGE	3	PP1002623
10	O-RING – VALVE SEAT	6	137866
11	RETAINER NUT, SUCTION VALVE COVER	3	PP1002724
12	SUCTION VALVE COVER	3	PP1002946
13	SEAL – SUCTION VALVE COVER O-RING	6	107990
14	SEAL – SUCTION VALVE COVER O-RING BACK-UP	6	NOT REQUIRED
15	PLUNGER, 5.5"	3	PP1002895
16	PACKING ASSEMBLY (See Page 16)	3	
17	SUCTION VALVE	3	PP1002758
18	VALVE GUIDE – SUCTION	3	PP1002775
19	KEEPER, SUCTION VALVE	3	PP1002713
20	VALVE SEAT – SUCTION	3	PP1002623
21	PIN, SUCTION VALVE KEEPER	3	PP1002719
22	ROLL PIN, SUCTION VALVE KEEPER	3	PP1005225
23	SUCTION MANIFOLD OPTIONS:		
	6" VICTAULIC CONNECTIONS*	1	PP1002635
	6" Fig. 207 CONNECTIONS*	1	PP1002638
	*O-RING – SUCTION MANIFOLD, SMALL (Not Shown)	3	901SH05-363
	*O-RING – SUCTION MANIFOLD, LARGE (Not Shown)	3	VP1002537
24	CAP SCREW	4	75P76
25	CAP SCREW	12	PP1005105
26	HINGE, SUCTION MANIFOLD	2	PP1002805
	*SPACER, HINGE (Not Shown)	4	168195
27	CAP SCREW	2	75P117
28	CAP SCREW	6	75P78
29	PLUNGER CLAMP	3	342-C-77
30	RETAINER NUT, DISCHARGE GAUGE CONNECTION	1	PP1002962
31	DISCHARGE COVER WITH 2" 1502 GAUGE CONNECTION*	1	PP1007784
	*WECO SEAL FOR ABOVE (Not Shown)	1	901SH06-1
32	DISCHARGE FLANGE OPTIONS:		
	BLIND FLANGE	1	265PN03
	BLIND FLANGE WITH BLEED OFF	1	268PN02
	3" 1502 FEMALE*	1	PP1002959
	*WECO SEAL FOR ABOVE (Not Shown)	1	901SH06-2
	3" 1502 MALE (Require 32A, 32B, and 32C)	1	PP1002960
32A	UNION NUT	1	431200090
32B	RETAINING RING	1	421067000
32C	RETAINING SEGMENTS	3	431042090
33	STUD	12	450VP005-034
34	HEX NUT	12	50B10
35	SEAL – DISCHARGE FLANGE, O-RING SHOULDER	2	107981
36	SEAL – DISCHARGE FLANGE, O-RING GROOVE (Not Shown)	2	107976

Male Discharge Flange Option



Female Discharge Flange Option

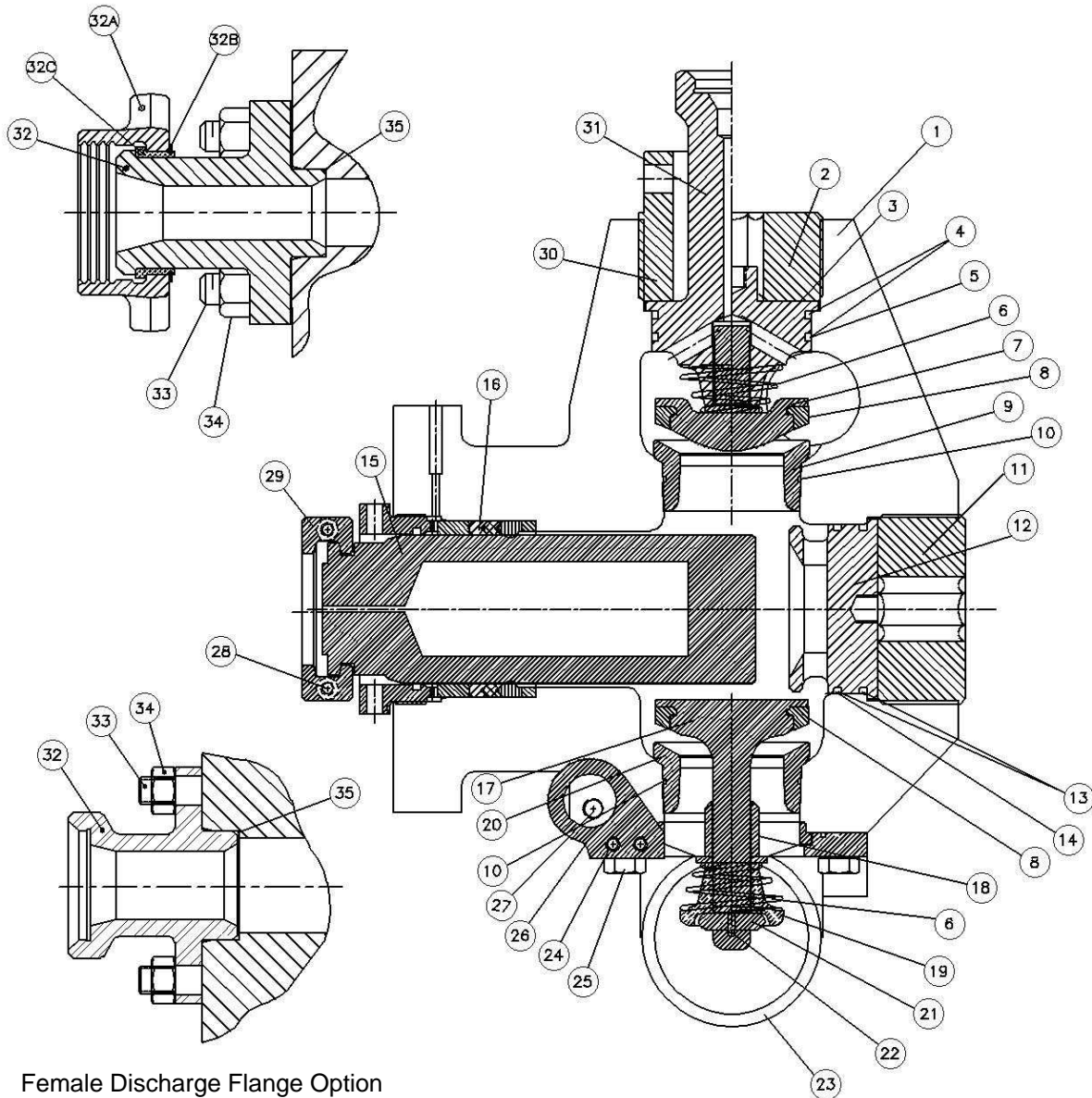
REF DRAWING # 304CMB810

5.75" EWS FLUID CYLINDER ASSEMBLY

## 5.75" EWS FLUID CYLINDER ASSEMBLY

Ref No.	Name of Part	Qty.	Part No.
1	FLUID CYLINDER, 5.75" EWS	1	PP1004498
2	RETAINER NUT, PLAIN DISCHARGE	2	PP1002720
3	DISCHARGE VALVE COVER – PLAIN	2	PP1007453
4	SEAL – DISCHARGE VALVE COVER O-RING	4	901SH05-432
5	SEAL – DISCHARGE VALVE COVER O-RING BACK-UP	6	25BC660
6	VALVE SPRING	6	918VP030
7	DISCHARGE VALVE	3	PP1002762
8	VALVE INSERT (SUCTION & DISCHARGE)	6	PP1002903
9	VALVE SEAT – DISCHARGE	3	PP1002623
10	O-RING – VALVE SEAT	6	137866
11	RETAINER NUT, SUCTION VALVE COVER	3	PP1002724
12	SUCTION VALVE COVER	3	PP1002946
13	SEAL – SUCTION VALVE COVER O-RING	6	107990
14	SEAL – SUCTION VALVE COVER O-RING BACK-UP	0	NOT REQUIRED
15	PLUNGER, 5.75"	3	PP1002896
16	PACKING ASSEMBLY (See Page 17)	3	
17	SUCTION VALVE	3	PP1002758
18	VALVE GUIDE – SUCTION	3	PP1002775
19	KEEPER, SUCTION VALVE	3	PP1002713
20	VALVE SEAT – SUCTION	3	PP1002623
21	PIN, SUCTION VALVE KEEPER	3	PP1002719
22	ROLL PIN, SUCTION VALVE KEEPER	3	PP1005225
23	SUCTION MANIFOLD OPTIONS:		
	6" VICTAULIC CONNECTIONS*	1	PP1002635
	6" Fig. 207 CONNECTIONS*	1	PP1002638
	*O-RING – SUCTION MANIFOLD, SMALL (Not Shown)	3	901SH05-363
	*O-RING – SUCTION MANIFOLD, LARGE (Not Shown)	3	VP1002537
24	CAP SCREW	4	75P76
25	CAP SCREW	12	PP1005105
26	HINGE, SUCTION MANIFOLD	2	PP1002805
	*SPACER, HINGE (Not Shown)	4	168195
27	CAP SCREW	2	75P117
28	CAP SCREW	6	75P78
29	PLUNGER CLAMP	3	342-C-77
30	RETAINER NUT, DISCHARGE GAUGE CONNECTION	1	PP1002962
31	DISCHARGE COVER WITH 2" 1502 GAUGE CONNECTION*	1	PP1007784
	*WECO SEAL FOR ABOVE (Not Shown)	1	901SH06-1
32	DISCHARGE FLANGE OPTIONS:		
	BLIND FLANGE	1	265PN03
	BLIND FLANGE WITH BLEED OFF	1	268PN02
	3" 1502 FEMALE*	1	PP1002959
	*WECO SEAL FOR ABOVE (Not Shown)	1	901SH06-2
	3" 1502 MALE (Require 32A, 32B, and 32C)	1	PP1002960
32A	UNION NUT	1	431200090
32B	RETAINING RING	1	421067000
32C	RETAINING SEGMENTS	3	431042090
33	STUD	12	450VP005-034
34	HEX NUT	12	50B10
35	SEAL – DISCHARGE FLANGE, O-RING SHOULDER	2	107981
36	SEAL – DISCHARGE FLANGE, O-RING GROOVE (Not Shown)	2	107976

Male Discharge Flange Option



Female Discharge Flange Option

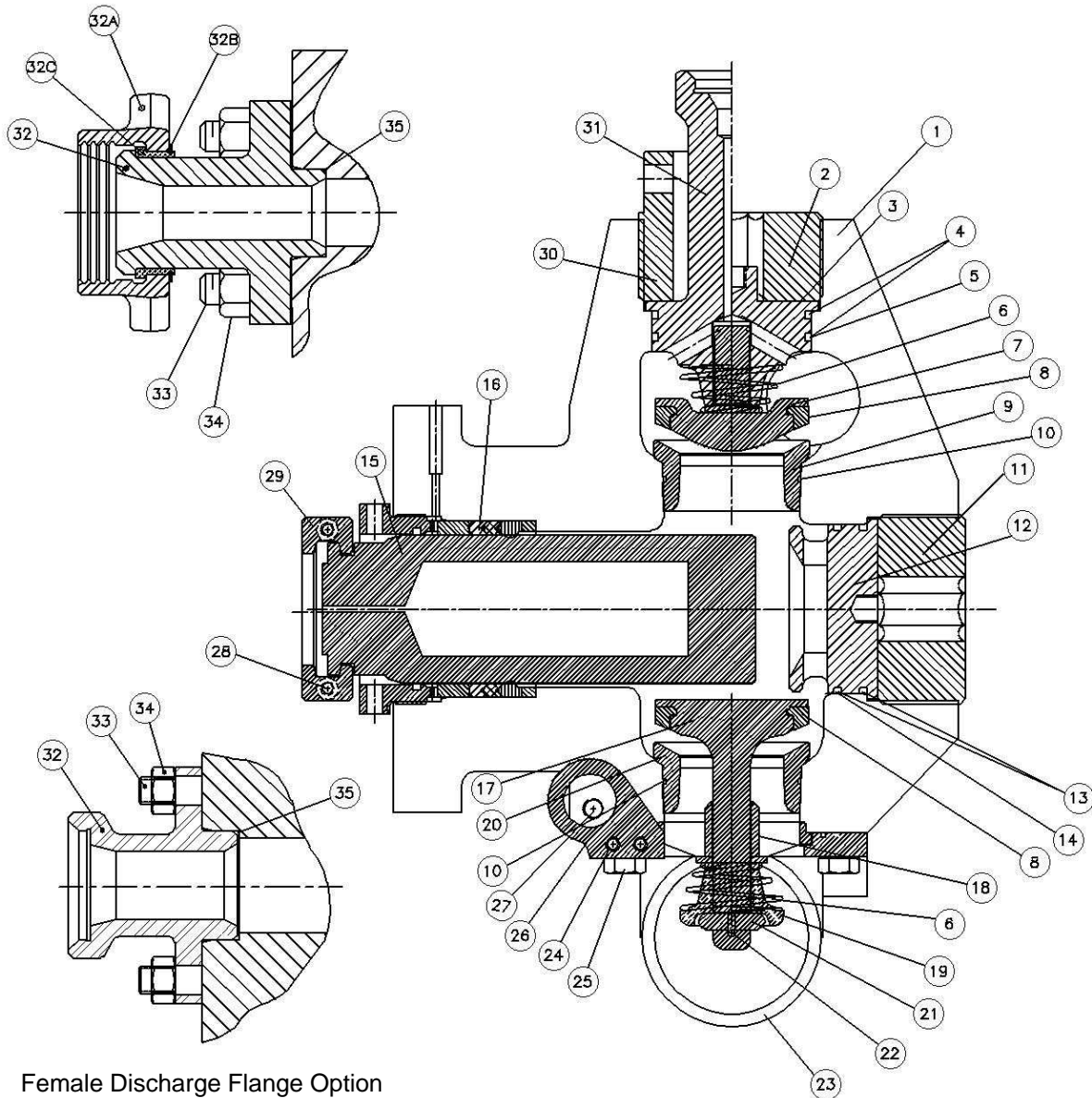
REF DRAWING # 304CMB810

6.0" EWS FLUID CYLINDER ASSEMBLY

## 6" EWS FLUID CYLINDER ASSEMBLY

Ref No.	Name of Part	Qty.	Part No.
1	FLUID CYLINDER, 6" EWS	1	PP1003931
2	RETAINER NUT, PLAIN DISCHARGE	2	PP1002720
3	DISCHARGE VALVE COVER – PLAIN	2	PP1007453
4	SEAL – DISCHARGE VALVE COVER O-RING	3	901SH05-432
5	SEAL – DISCHARGE VALVE COVER O-RING BACK-UP	6	25BC660
6	VALVE SPRING	6	918VP030
7	DISCHARGE VALVE	3	PP1002762
8	VALVE INSERT (SUCTION & DISCHARGE)	6	PP1002903
9	VALVE SEAT – DISCHARGE	3	PP1002623
10	O-RING – VALVE SEAT	6	137866
11	RETAINER NUT, SUCTION VALVE COVER	3	PP1002724
12	SUCTION VALVE COVER	3	PP1002946
13	SEAL – SUCTION VALVE COVER O-RING	6	107990
14	SEAL – SUCTION VALVE COVER O-RING BACK-UP	6	NOT REQUIRED
15	PLUNGER, 6"	3	PP1003259
16	PACKING ASSEMBLY (See Page 17)	3	
17	SUCTION VALVE	3	PP1002758
18	VALVE GUIDE – SUCTION	3	PP1002775
19	KEEPER, SUCTION VALVE	3	PP1002713
20	VALVE SEAT – SUCTION	3	PP1002623
21	PIN, SUCTION VALVE KEEPER	3	PP1002719
22	ROLL PIN, SUCTION VALVE KEEPER	3	PP1005225
23	SUCTION MANIFOLD OPTIONS:		
	6" VICTAULIC CONNECTIONS*	1	PP1002635
	6" Fig. 207 CONNECTIONS*	1	PP1002638
	*O-RING – SUCTION MANIFOLD, SMALL (Not Shown)	3	901SH05-363
	*O-RING – SUCTION MANIFOLD, LARGE (Not Shown)	3	VP1002537
24	CAP SCREW	4	75P76
25	CAP SCREW	12	PP1005105
26	HINGE, SUCTION MANIFOLD	2	PP1002805
	*SPACER, HINGE (Not Shown)	4	168195
27	CAP SCREW	2	75P117
28	CAP SCREW	6	75P78
29	PLUNGER CLAMP	3	342-C-77
30	RETAINER NUT, DISCHARGE GAUGE CONNECTION	1	PP1002962
31	DISCHARGE COVER WITH 2" 1502 GAUGE CONNECTION*	1	PP1007784
	*WECO SEAL FOR ABOVE (Not Shown)	1	901SH06-1
32	DISCHARGE FLANGE OPTIONS:		
	BLIND FLANGE	1	265PN03
	BLIND FLANGE WITH BLEED OFF	1	268PN02
	3" 1502 FEMALE*	1	PP1002959
	*WECO SEAL FOR ABOVE (Not Shown)	1	901SH06-2
	3" 1502 MALE (Require 32A, 32B, and 32C)	1	PP1002960
32A	UNION NUT	1	431200090
32B	RETAINING RING	1	421067000
32C	RETAINING SEGMENTS	3	431042090
33	STUD	12	450VP005-034
34	HEX NUT	12	50B10
35	SEAL – DISCHARGE FLANGE, O-RING SHOULDER	2	107981
36	SEAL – DISCHARGE FLANGE, O-RING GROOVE (Not Shown)	2	107976

Male Discharge Flange Option



Female Discharge Flange Option

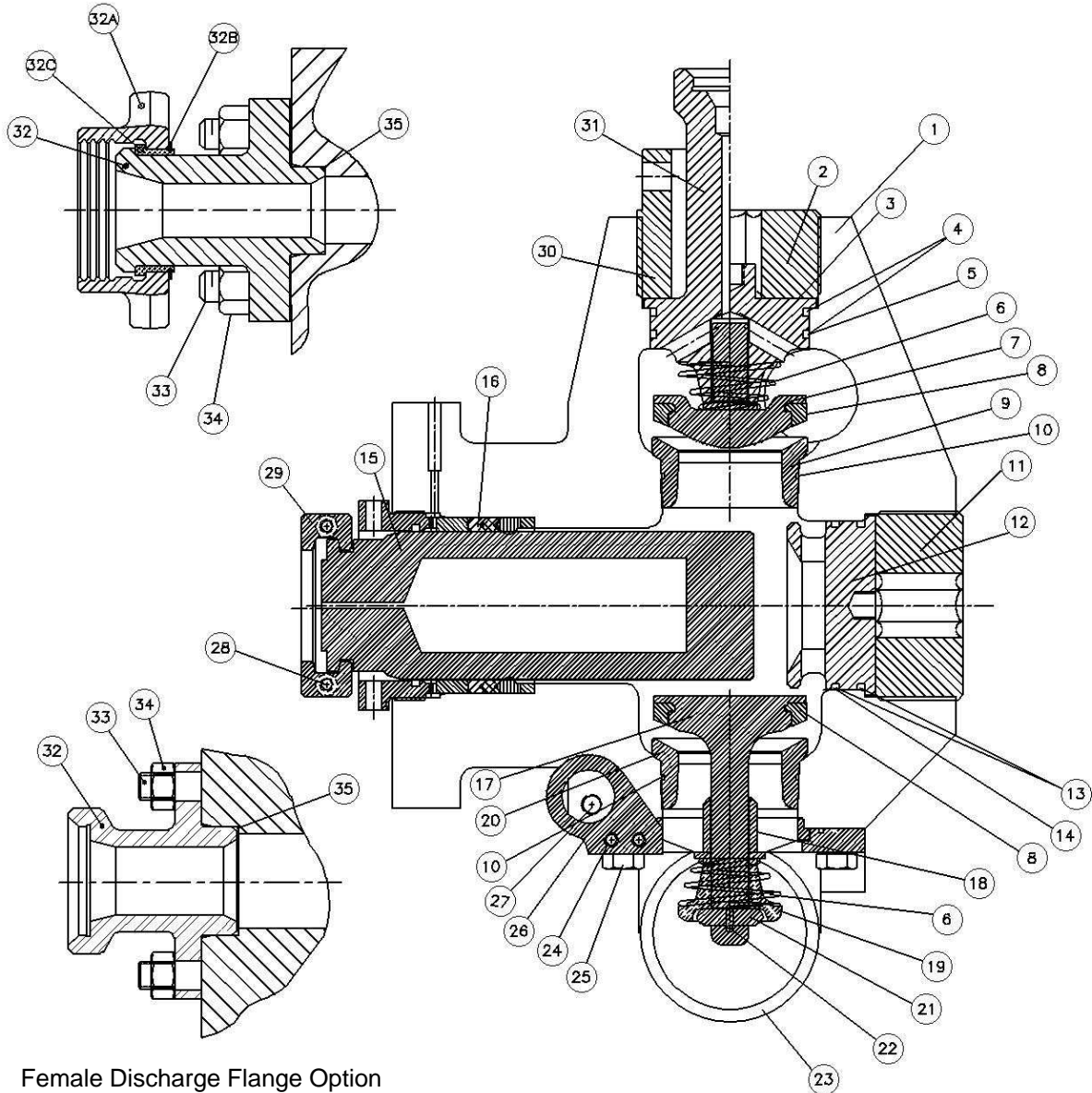
REF DRAWING # 304CMB810

6.5" EWS FLUID CYLINDER ASSEMBLY

## 6.5" EWS FLUID CYLINDER ASSEMBLY

Ref No.	Name of Part	Qty.	Part No.
1	FLUID CYLINDER, 6.5" EWS	1	PP1003350
2	RETAINER NUT, PLAIN DISCHARGE	2	PP1002722
3	DISCHARGE VALVE COVER – PLAIN	2	PP1007458
4	SEAL – DISCHARGE VALVE COVER O-RING	3	901SH05-362
5	SEAL – DISCHARGE VALVE COVER O-RING BACK-UP	6	25BC654
6	VALVE SPRING – STANDARD	6	918VP033
	VALVE SPRING – HEAVY DUTY	6	PP1003372
7	DISCHARGE VALVE	3	PP1002859
8	VALVE INSERT (SUCTION & DISCHARGE)	6	PP1002904
9	VALVE SEAT – DISCHARGE	3	PP1002627
10	O-RING – VALVE SEAT	6	108513
11	RETAINER NUT, SUCTION VALVE COVER	3	PP1002729
12	SUCTION VALVE COVER	3	PP1002677
13	SEAL – SUCTION VALVE COVER O-RING	6	901SH05-440
14	SEAL – SUCTION VALVE COVER O-RING BACK-UP	0	NOT REQUIRED
15	PLUNGER, 6"	3	PP1002898
16	PACKING ASSEMBLY (See Page 17)	3	
17	SUCTION VALVE	3	PP1002759
18	VALVE GUIDE – SUCTION	3	PP1002777
19	KEEPER, SUCTION VALVE	3	PP1002717
20	VALVE SEAT – SUCTION	3	PP1002627
21	PIN, SUCTION VALVE KEEPER	3	PP1002719
22	ROLL PIN, SUCTION VALVE KEEPER	3	PP1005225
23	SUCTION MANIFOLD OPTIONS:		
	6" VICTAULIC CONNECTIONS*	1	PP1002639
	6" Fig. 207 CONNECTIONS*	1	PP1002637
	*O-RING – SUCTION MANIFOLD, SMALL (Not Shown)	3	VP1002536
24	CAP SCREW	4	75P76
25	CAP SCREW	12	PP1005105
26	HINGE, SUCTION MANIFOLD	2	PP1002805
	*SPACER, HINGE (Not Shown)	4	168195
27	CAP SCREW	2	75P117
28	CAP SCREW	6	75P78
29	PLUNGER CLAMP	3	342-C-77
30	RETAINER NUT, DISCHARGE GAUGE CONNECTION	1	PP1003247
31	DISCHARGE COVER WITH 2" 1502 GAUGE CONNECTION*	1	PP1007448
	*WECO SEAL FOR ABOVE (Not Shown)	1	901SH06-1
32	DISCHARGE FLANGE OPTIONS:		
	BLIND FLANGE	1	265PN03
	BLIND FLANGE WITH BLEED OFF	1	268PN02
	3" 1502 FEMALE*	1	PP1002959
	*WECO SEAL FOR ABOVE (Not Shown)	1	901SH06-2
	3" 1502 MALE (Require 32A, 32B, and 32C)	1	PP1002960
32A	UNION NUT	1	431200090
32B	RETAINING RING	1	421067000
32C	RETAINING SEGMENTS	3	431042090
33	STUD	12	450VP005-034
34	HEX NUT	12	50B10
35	SEAL – DISCHARGE FLANGE, O-RING SHOULDER	2	107981
36	SEAL – DISCHARGE FLANGE, O-RING GROOVE (Not Shown)	2	107976

Male Discharge Flange Option



Female Discharge Flange Option

REF DRAWING # 304CMB810

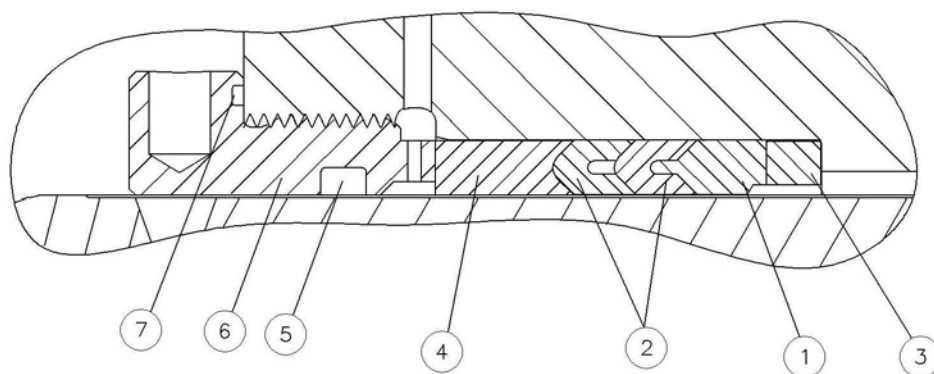
6.75" EWS FLUID CYLINDER ASSEMBLY



## 6.75" EWS FLUID CYLINDER ASSEMBLY

Ref No.	Name of Part	Qty.	Part No.
1	FLUID CYLINDER, 5" EWS	1	PP1002889
2	RETAINER NUT, PLAIN DISCHARGE	2	PP1002722
3	DISCHARGE VALVE COVER – PLAIN	2	PP1007458
4	SEAL – DISCHARGE VALVE COVER O-RING	3	901SH05-362
5	SEAL – DISCHARGE VALVE COVER O-RING BACK-UP	6	25BC654
6	VALVE SPRING – STANDARD	6	918VP033
	VALVE SPRING – HEAVY DUTY	6	PP1003372
7	DISCHARGE VALVE	3	PP1002859
8	VALVE INSERT (SUCTION & DISCHARGE)	6	PP1002904
9	VALVE SEAT – DISCHARGE	3	PP1002627
10	O-RING – VALVE SEAT	6	108513
11	RETAINER NUT, SUCTION VALVE COVER	3	PP1002729
12	SUCTION VALVE COVER	3	PP1002677
13	SEAL – SUCTION VALVE COVER O-RING	6	901SH05-440
14	SEAL – SUCTION VALVE COVER O-RING BACK-UP	0	NOT REQUIRED
15	PLUNGER, 6.75"	3	PP1002899
16	PACKING ASSEMBLY (See Page 18)	3	
17	SUCTION VALVE	3	PP1002759
18	VALVE GUIDE – SUCTION	3	PP1002777
19	KEEPER, SUCTION VALVE	3	PP1002717
20	VALVE SEAT – SUCTION	3	PP1002627
21	PIN, SUCTION VALVE KEEPER	3	PP1002719
22	ROLL PIN, SUCTION VALVE KEEPER	3	PP1005225
23	SUCTION MANIFOLD OPTIONS:		
	6" VICTAULIC CONNECTIONS*	1	PP1002639
	6" Fig. 207 CONNECTIONS*	1	PP1002637
	*O-RING – SUCTION MANIFOLD, SMALL (Not Shown)	3	VP1002536
24	CAP SCREW	4	75P76
25	CAP SCREW	12	PP1005105
26	HINGE, SUCTION MANIFOLD	2	PP1002805
	*SPACER, HINGE (Not Shown)	4	168195
27	CAP SCREW	2	75P117
28	CAP SCREW	6	75P78
29	PLUNGER CLAMP	3	342-C-77
30	RETAINER NUT, DISCHARGE GAUGE CONNECTION	1	PP1003247
31	DISCHARGE COVER WITH 2" 1502 GAUGE CONNECTION*	1	PP1007448
	*WECO SEAL FOR ABOVE (Not Shown)	1	901SH06-1
32	DISCHARGE FLANGE OPTIONS:		
	BLIND FLANGE	1	265PN03
	BLIND FLANGE WITH BLEED OFF	1	268PN02
	3" 1502 FEMALE*	1	PP1002959
	*WECO SEAL FOR ABOVE (Not Shown)	1	901SH06-2
	3" 1502 MALE (Require 32A, 32B, and 32C)	1	PP1002960
32A	UNION NUT	1	431200090
32B	RETAINING RING	1	421067000
32C	RETAINING SEGMENTS	3	431042090
33	STUD	12	450VP005-034
34	HEX NUT	12	50B10
35	SEAL – DISCHARGE FLANGE, O-RING SHOULDER	2	107981
36	SEAL – DISCHARGE FLANGE, O-RING GROOVE (Not Shown)	2	107976

## RSL PACKING ASSEMBLY FOR EWS CYLINDER



**RSL PACKING ASSEMBLY DETAIL  
4.5" RSL PACKING ASSEMBLY**

Ref No.	Name of Part	Qty.	Part No.
1	HEADER RING, 4.5"	1	901VP014-014
2	PACKING RING	2	901VP002-014
3	SPACER	1	PP1003361
4	FEMALE ADAPTER	1	203PN001-005
5	WIPER SEAL	1	60AM57
6	PACKING NUT	1	182PN02
7	O-RING	1	108515

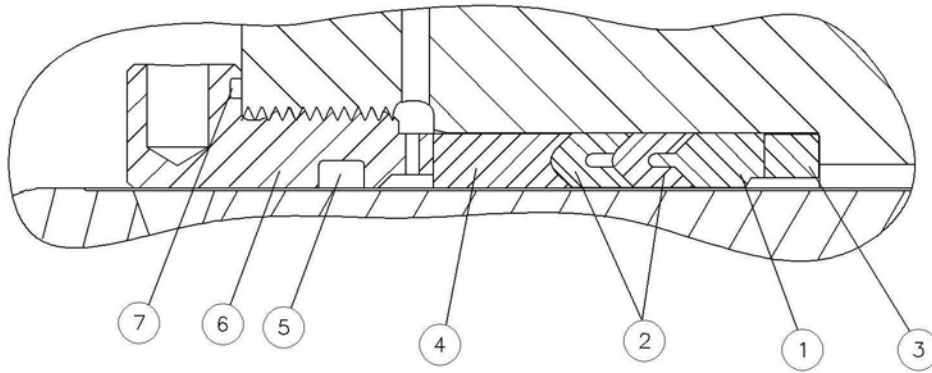
### 5" RSL PACKING ASSEMBLY

Ref No.	Name of Part	Qty.	Part No.
1	HEADER RING, 5"	1	901VP014-009
2	PACKING RING	2	901VP002-009
3	SPACER	1	PP1003362
4	FEMALE ADAPTER	1	203PN001-006
5	WIPER SEAL	1	60AM58
6	PACKING NUT	1	PP1002608
7	O-RING	1	167661

### 5.5" RSL PACKING ASSEMBLY

Ref No.	Name of Part	Qty.	Part No.
1	HEADER RING, 5.5"	1	901VP014-008
2	PACKING RING	2	901VP002-008
3	SPACER	1	PP1002883
4	FEMALE ADAPTER	1	203PN001-012
5	WIPER SEAL	1	60AM60
6	PACKING NUT	1	PP1002958
7	O-RING	1	901SH05-263

## RSL PACKING ASSEMBLY FOR EWS CYLINDER



**RSL PACKING ASSEMBLY DETAIL  
5.75" RSL PACKING ASSEMBLY**

Ref No.	Name of Part	Qty.	Part No.
1	HEADER RING, 5.75"	1	901VP014-006
2	PACKING RING	2	901VP002-006
3	SPACER	1	PP1002884
4	FEMALE ADAPTER	1	203PN001-010
5	WIPER SEAL	1	60AM61
6	PACKING NUT	1	182PN15
7	O-RING	1	108516

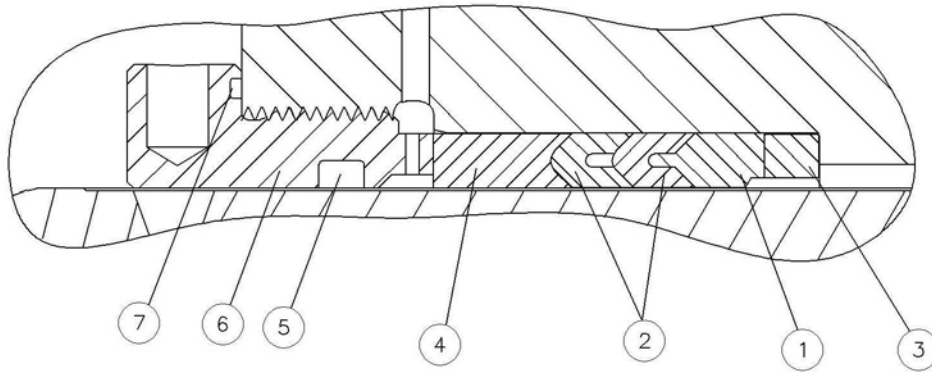
### 6" RSL PACKING ASSEMBLY

Ref No.	Name of Part	Qty.	Part No.
1	HEADER RING, 6"	1	901VP014-007
2	PACKING RING	2	901VP002-007
3	SPACER	1	PP1002886
4	FEMALE ADAPTER	1	203PN001-011
5	WIPER SEAL	1	60AM62
6	PACKING NUT	1	182PN17
7	O-RING	1	108516

### 6.5" RSL PACKING ASSEMBLY

Ref No.	Name of Part	Qty.	Part No.
1	HEADER RING, 6.5"	1	901VP014-015
2	PACKING RING	2	901VP002-015
3	SPACER	1	PP1002887
4	FEMALE ADAPTER	1	203PN001-004
5	WIPER SEAL	1	60AM63
6	PACKING NUT	1	PP1002609
7	O-RING	1	108517

## RSL PACKING ASSEMBLY FOR EWS CYLINDER



**RSL PACKING ASSEMBLY DETAIL  
6.75" RSL PACKING ASSEMBLY**

Ref No.	Name of Part	Qty.	Part No.
1	HEADER RING, 6.75"	1	901VP014-011
2	PACKING RING	2	901VP002-011
3	SPACER	1	PP1003363
4	FEMALE ADAPTER	1	203PN001-008
5	WIPER SEAL	1	60AM64
6	PACKING NUT	1	182PN19
7	O-RING	1	136847

## EWS FLUID END SERVICE TOOLS

Ref No.	Name of Part	Qty.	Part No.
A	PACKING NUT WRENCH	1	PP1002955
B	HEX WRENCH (SELECT FROM 2 SIZE OPTIONS BELOW)		
	4.5"-6.0" FLUID END HEX WRENCH (2" HEX)	1	P-A-09
	6.5"-7.0" FLUID END HEX WRENCH (3" HEX)	1	342-A-89
C	SLIDE HAMMER WRENCH	1	PP1002941
D	MANIFOLD LIFT BAR	1	PP1004776
E	GAUGE CONNECTION RETAINER WRENCH	1	PP1002787
F	SUCTION VALVE SPRING TOOL	1	PP1002643
G	SEAT PULLER TOOL KIT (SELECT FROM 3 SIZE OPTIONS BELOW)		
	4.5" – 5.0" SEAT PULLER TOOL KIT (*INCLUDES THE FOLLOWING 4 ITEMS)	1	590AD016
	* SEAT PULLER ASSEMBLY	1	OPA90683
	* PULLER HEAD ASSEMBLY	1	590AD011
	* NUT	1	50B18
	* STUD	1	450PN022
	5.5" – 6.0" SEAT PULLER TOOL KIT (*INCLUDES THE FOLLOWING 4 ITEMS)	1	404THD6031
	* SEAT PULLER ASSEMBLY	1	OPA90683
	* PULLER HEAD ASSEMBLY	1	590AD012
	* NUT	1	50B18
	* STUD	1	450PN022
	6.5" – 7.0" SEAT PULLER TOOL KIT (*INCLUDES THE FOLLOWING 4 ITEMS)	1	405THD6031
	* SEAT PULLER ASSEMBLY	1	OPA90683
	* PULLER HEAD ASSEMBLY	1	590AD013
	* NUT	1	50B18
	* STUD	1	450PN022



#### 北京

信德迈科技(北京)有限公司CNMEC Technology  
北京朝阳区胜古中路2号金基业大厦201室  
邮编：100029  
电话：010-8428 2935 13910962635  
传真：010-8428 8762  
主页：[//www.cnmec.biz](http://www.cnmec.biz)  
电子邮件：[sales@cnmec.biz](mailto:sales@cnmec.biz)

#### 西安

西安嘉岳自动化技术有限公司Garye Automation  
地址：西安经开区凤城二路天地时代广场B座23层22312室  
邮编：710016  
电话：029 - 8610 8648 15319759129  
传真：029 - 8610 6806  
主页：<http://www.garye.cn>  
电子邮件：[sales@garye.cn](mailto:sales@garye.cn)